

A STORY OF LOVE AND TERROIR...

It is in the foothills of the Alsatian vineyards, where the wine route starts, that the WineMaster® story begins. Our attachment to terroir and our love of wine have always been the source of our thought process and creativity.

Ever since its inception in 1984, the skills and know-how of the men and women of WineMaster® have been at the heart of every step in the air conditioner making process.

Quality and detail are what motivate us, and we are proud of our products and their 100 % Alsatian design.

“INNOVATION AND EXCELLENCE ARE WINEMASTER'S KEY VALUES.”



WWW.WINEMEDIA Text and photo are not contractual

WINEMASTER
le temps d'être différent

Z.I. VIEUX-THANN ■ 18 RUE GUY DE PLACE
BP 60010 ■ F68801 THANN CEDEX
Tél : +33 (0) 389 377 515 ■ E-mail : contact@winemaster.fr
www.winemaster.fr

WINEMASTER
le temps d'être différent

EFFICIENCY AND LOW CONSUMPTION

Designed for spaces up to 100 cubic meters in volume, WineMaster® SP100/SP100-8 air conditioners are exceptionally high-efficiency and allow for significant energy savings.

WINE CELLAR AIR CONDITIONER



100 m³ Air-conditioning up to 100 m³

8-18°C High performance integrated thermostat

Quiet

Respectful of the environment

Ideal climate conditions for the preservation of your wine

**WINE
SP100**

THE SPLIT UNITS



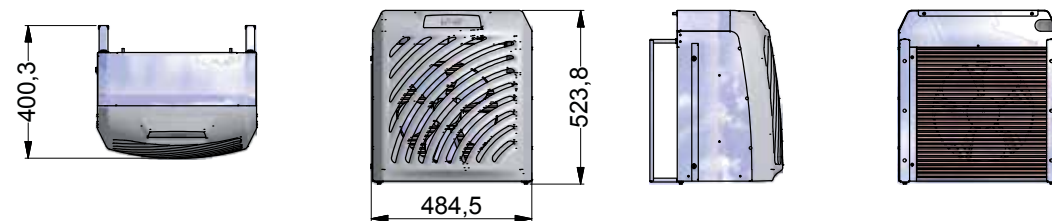


WINE SP100

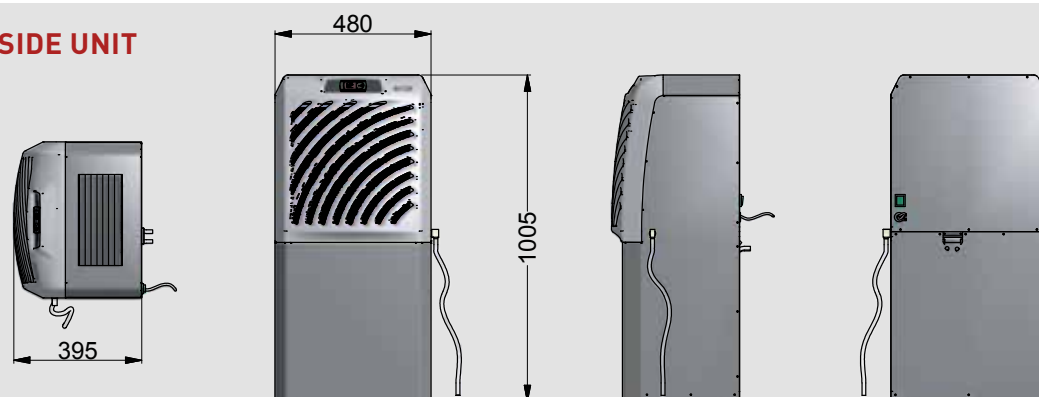
THE NEW GENERATION

- Keeps cellars at a constant temperature of between 8 and 18 °C*
- Humidity control : excess humidity is condensed and evacuated towards the outside
- Rubber shock absorbers are incorporated, creating an anti-vibration system
- Reheating feature
- Easy upkeep: just a filter that needs to be changed once a year
- Digital display electronic thermostat
- Reaction turbines for well-controlled consumption
- 2 year guarantee

OUTSIDE UNIT



INSIDE UNIT

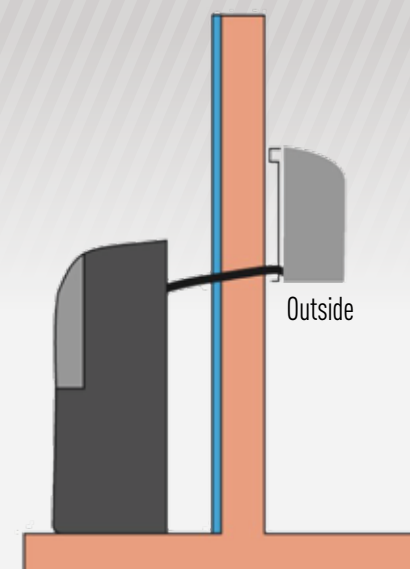


EASY TO INSTALL

Ready to be installed, the Wine SP100 has a simple and quick plug-in system with two useful line lengths for connecting the outside and inside units: ■ SP100: 4.5 m ■ SP100-8: 8 m.

The outside unit, which is very quiet, can thus be moved further away from the inside unit, and set up outside the house; an ideal solution if the cellar is underground or if it is directly adjacent to the living space.

THE SPLIT UNITS WINEMASTER®



REFERENCE	WINE SP100
Electrical supply	230-240 V - 50Hz
Air conditioning capacity*	Up to 100 m ³ *
Overall dimensions	W.480 x H.1005 x D.395 mm
Weight	45 Kg
Cooling capacity	2500 W à 12 °C
Electrical power absorbed	1250 W
Sound level in the cellar (at 1m and 3m)	53 dB / 50 dB
Cellar airflow rate (cold side)	500 m ³ /h
Outside airflow rate (hot side)	750 m ³ /h
Coolant	R407 C
Heat resistance	1000 W
Temperature regulation*	Preset to 12 °C adjustable between 8 and 18 °C*
Maximum outside temperature**	35°C

* With right insulation and adapted to the volume of the cellar.

** The power could be reduced in function of outside temperature, its why the device may lose capacity to keep the cellar at 12 °C if the outside temperature gets close to 35 °C.

DISCOVER OUR OTHER SPECIAL PRODUCTS : HYGROMASTER® & WINEMASTER® CELLAR DOOR

HYGROMASTER®

On the wall, on the ground, or on a stable shelf, Hygromaster® is very easy to install. You can simply connect it to the water tank that comes with it. This reservoir kit supplies the Hygromaster® with demineralized water. You can regulate the level of humidity to ensure it is appropriate for your wine cellar.



WINEMASTER® CELLAR DOOR

The WineMaster® cellar door guarantees the optimal insulation of your wine cellar, a real asset to some of our WineMaster® air conditioners. It is very easy to install with only 7 fixing points for mounting the set and two possible opening versions (right or left).

